

8

7

6

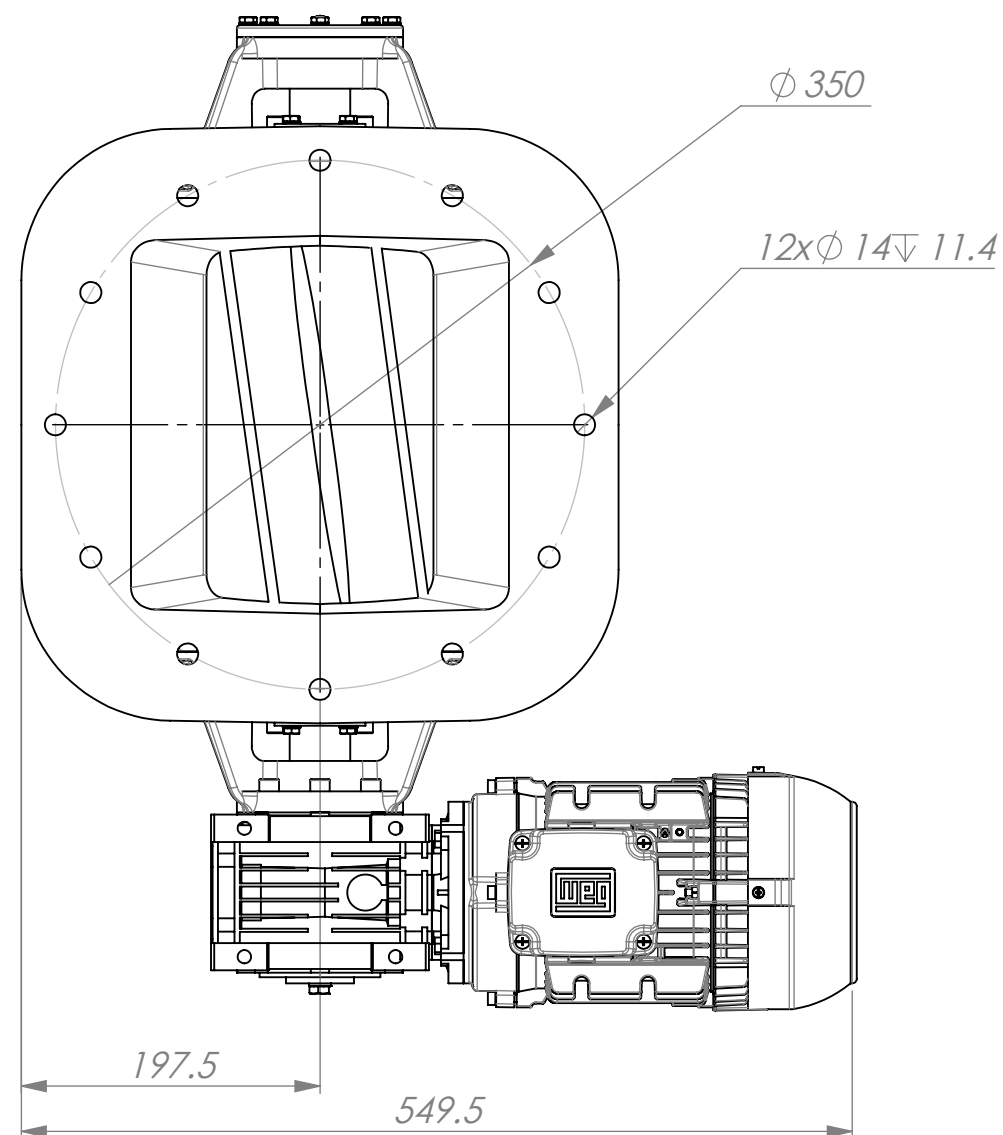
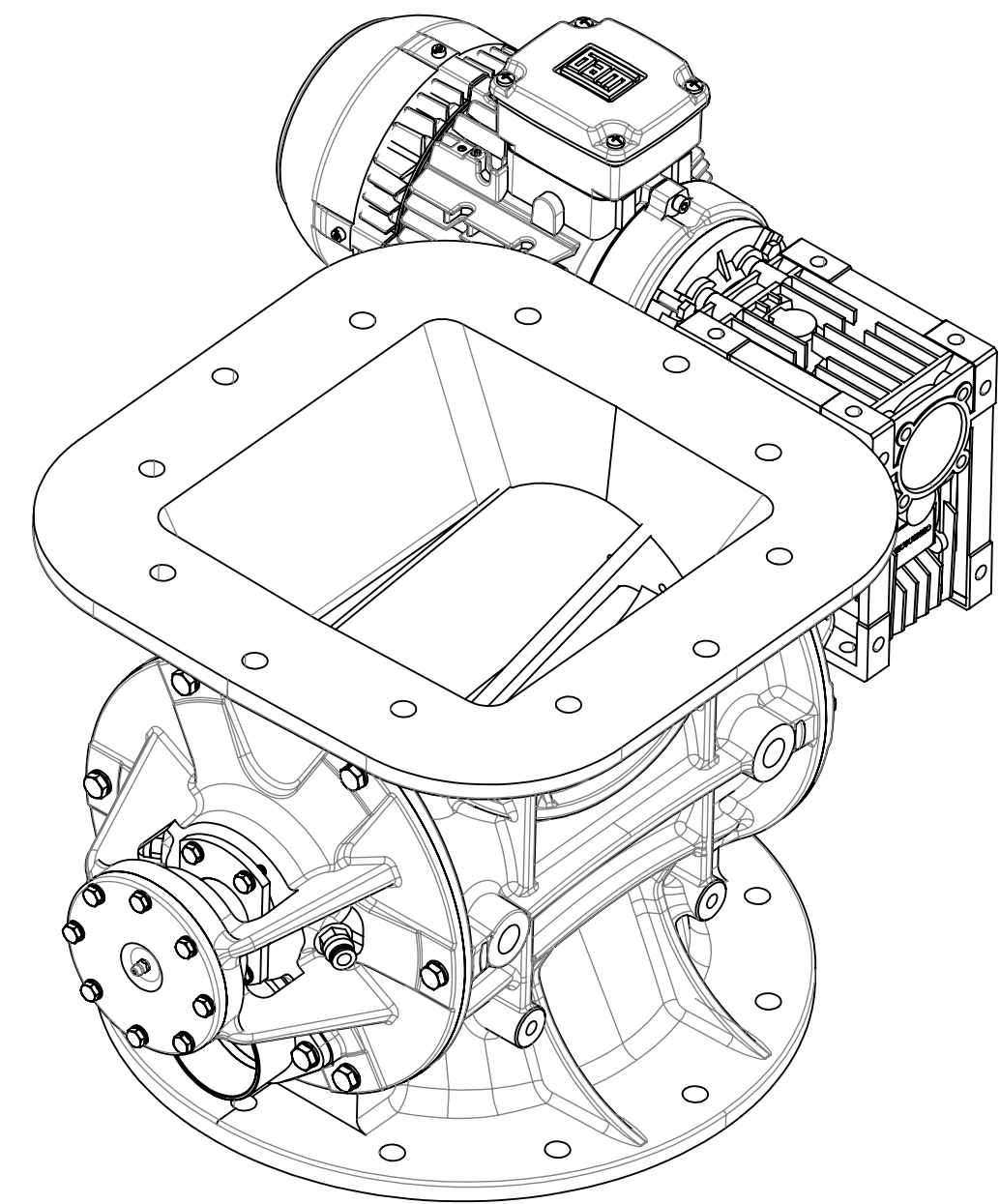
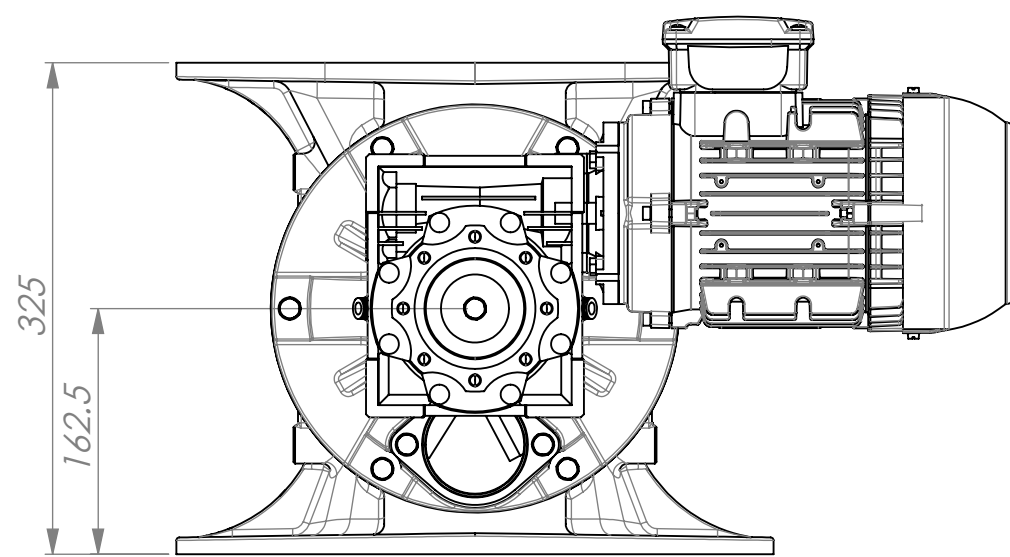
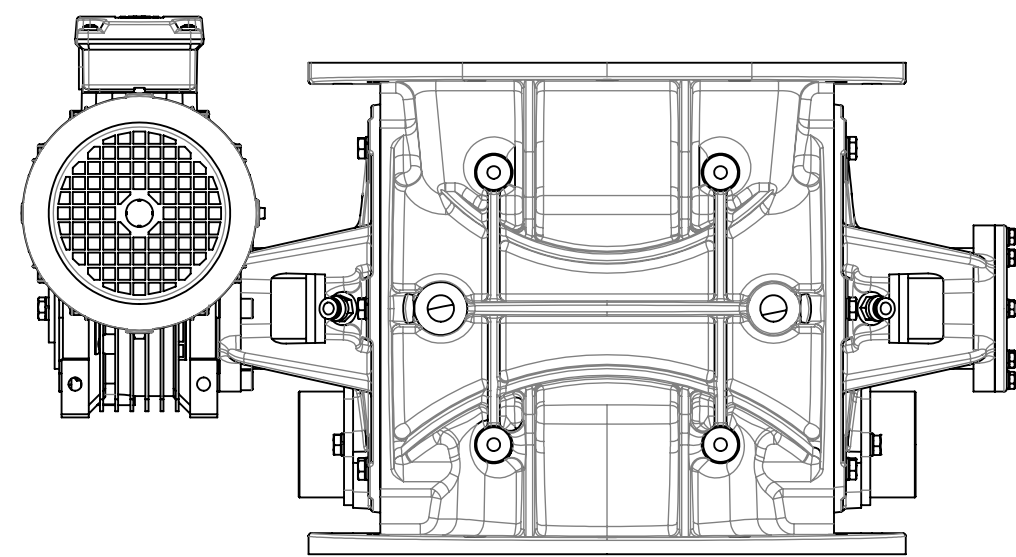
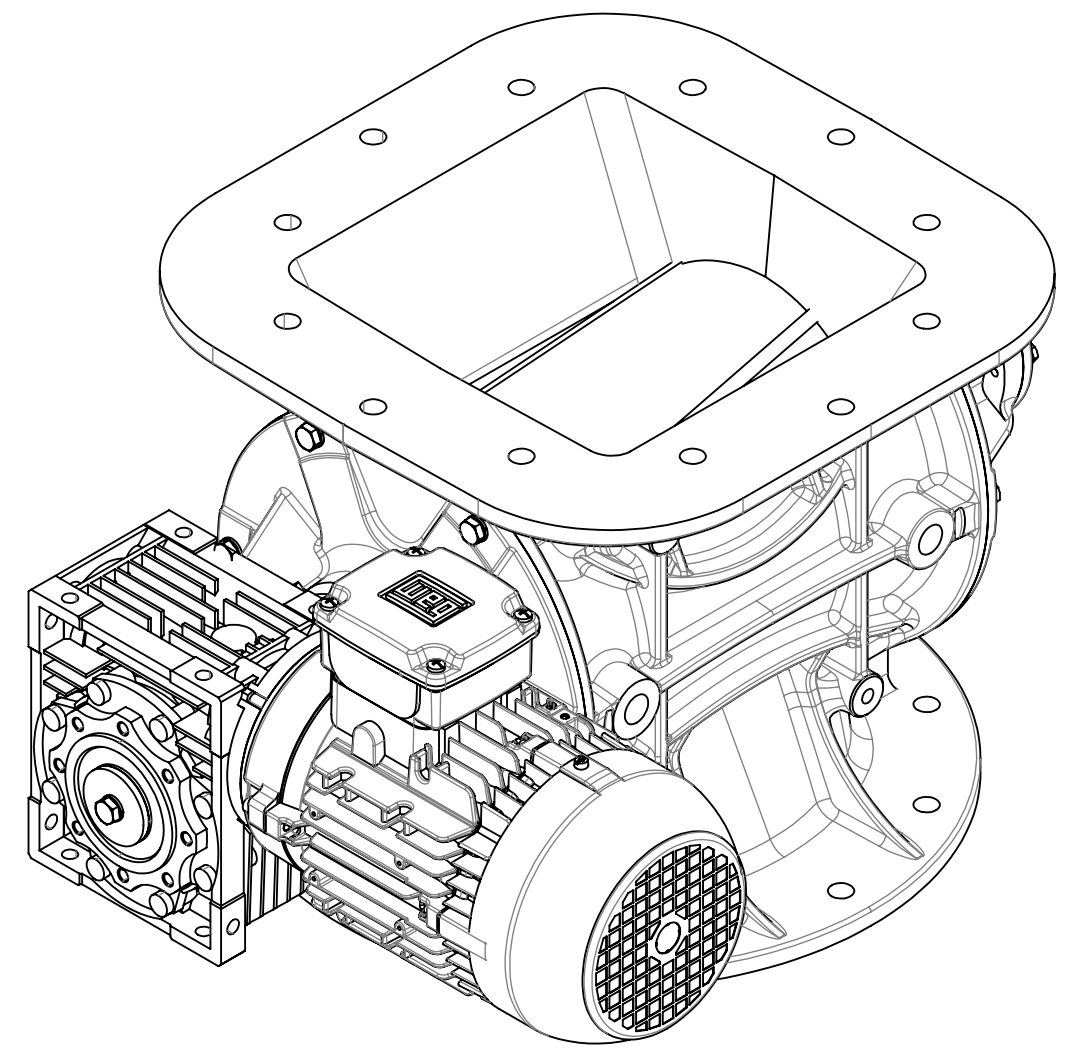
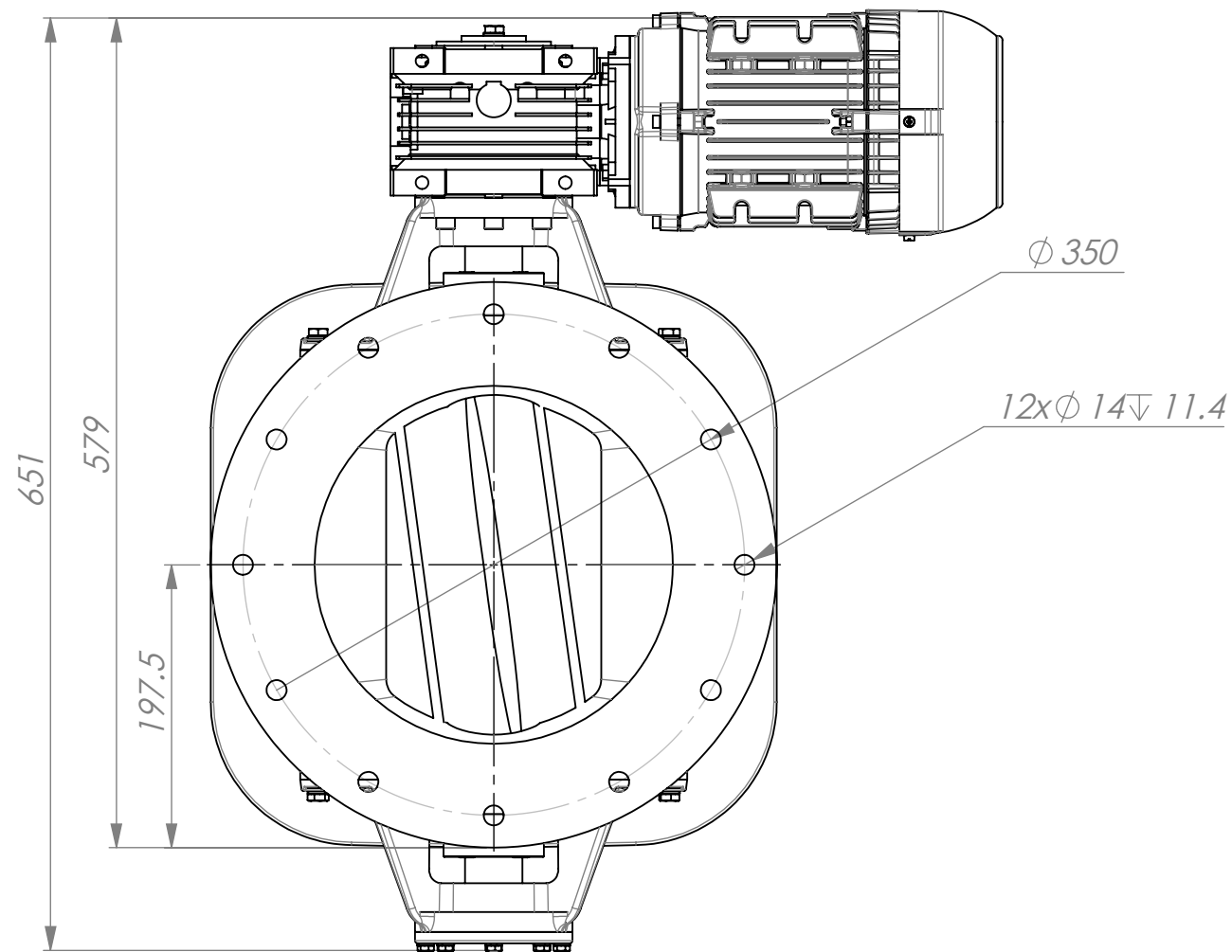
5

4

3

2

1



DASH NO.	NEXT ASSY.	USED ON APPLICATION

UNLESS OTHERWISE SPECIFIED
1. MARKING PER ISO 2842
2. BREAK ALL SHARP EDGES 0.1 X 45° OR 0.1R
3. DIMENSIONAL LIMITS APPLY AFTER PLATING

LAST DATUM LRT USED
HEAT TREAT:
FINISH SPEC.
UNLESS OTHERWISE SPECIFIED DIMENSION ARE IN MILLIMETER

CUSTOMER: Padideh Kimia Co.
DESIGN: ESGM Co.
MET PRE:
DESIGN APP:
GROUP PRE:
ENGR. APP:
DRAWN:
CHECKED:
APPROVED:

PART NAME: 10" Advance Rotary Valve
PART NO.
SIZE A2
REFERENCE:
SCALE: 1:5
FILE CODE:
SHEET 1 OF 1

8

7

6

5

4

3

2

1