

8

7

6

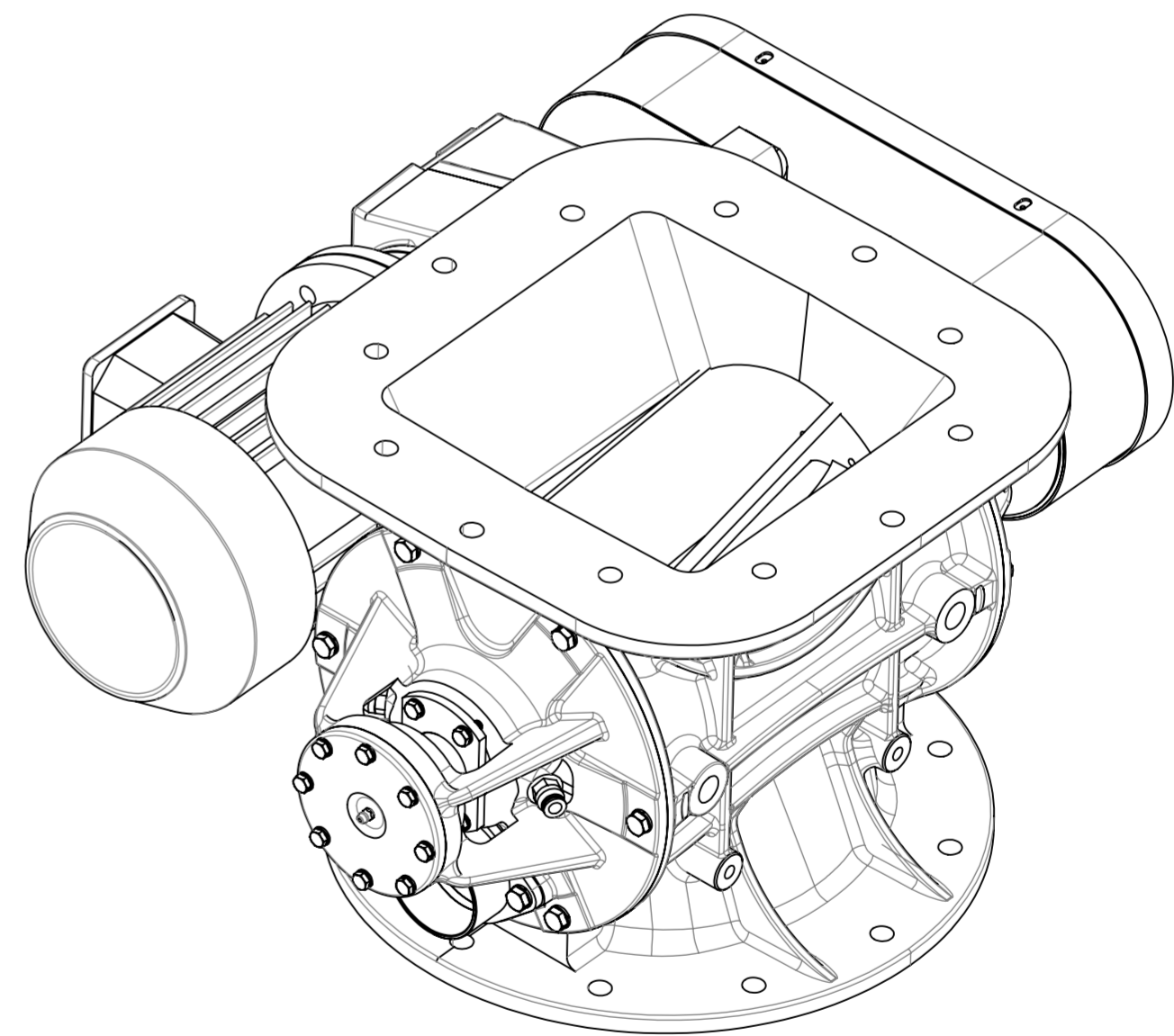
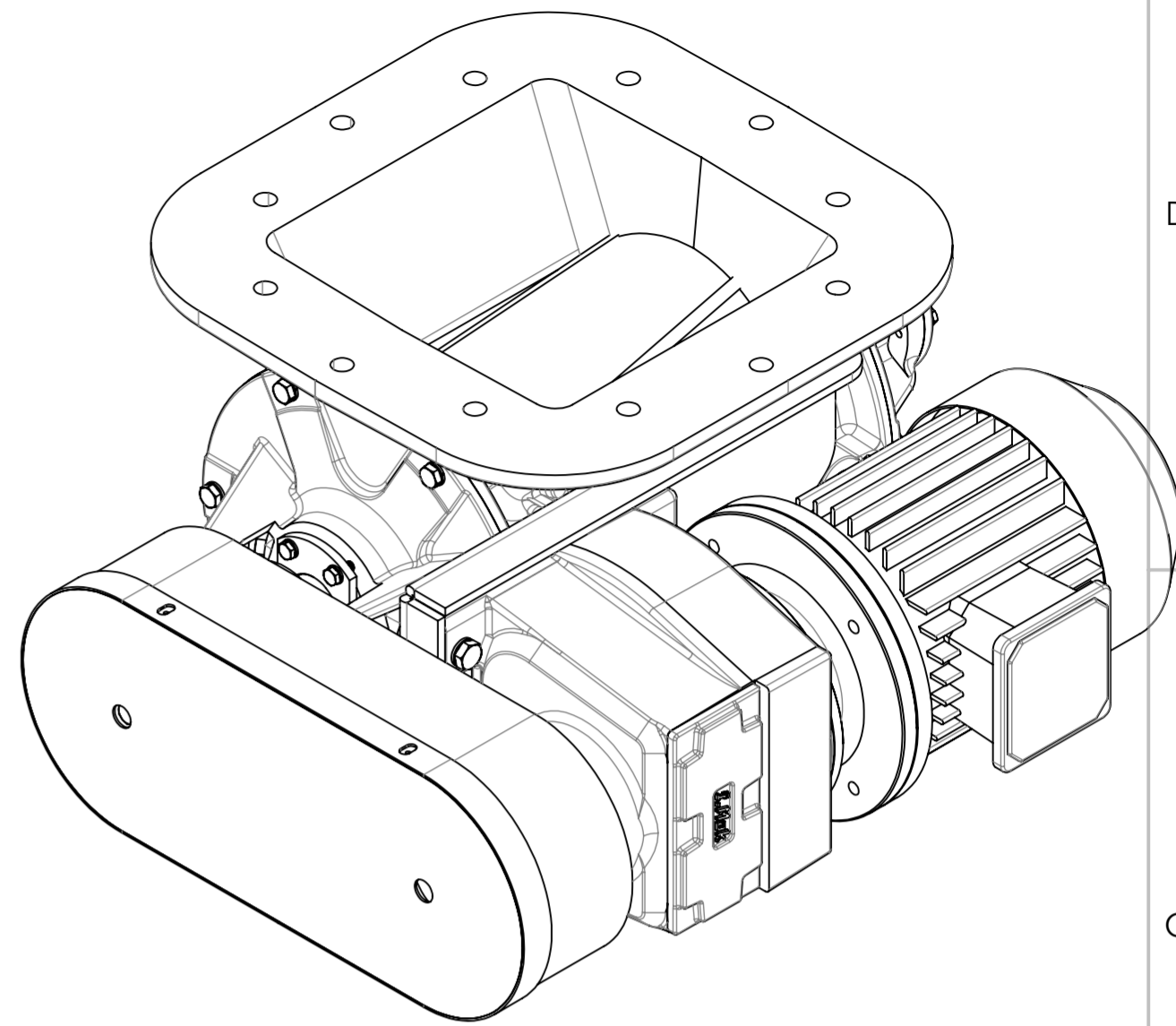
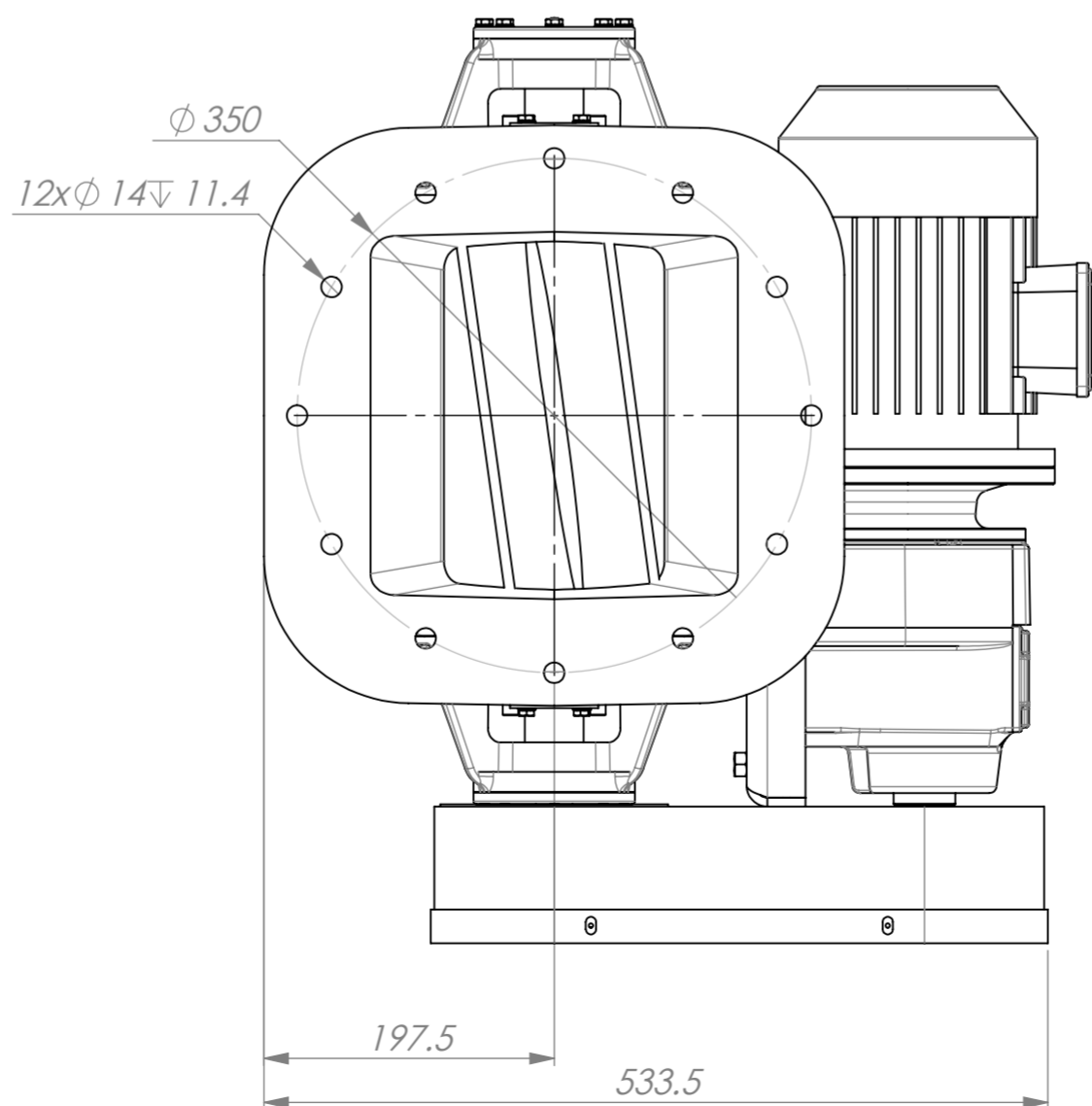
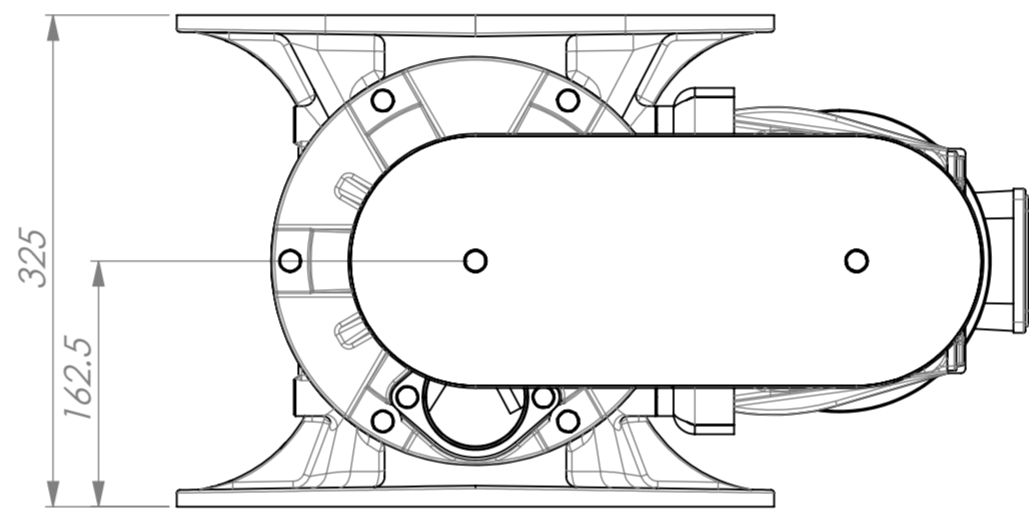
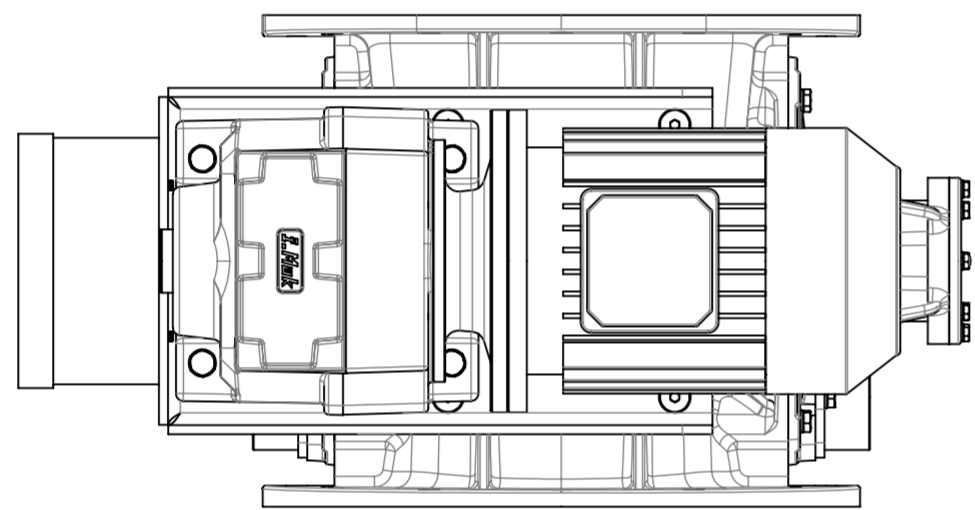
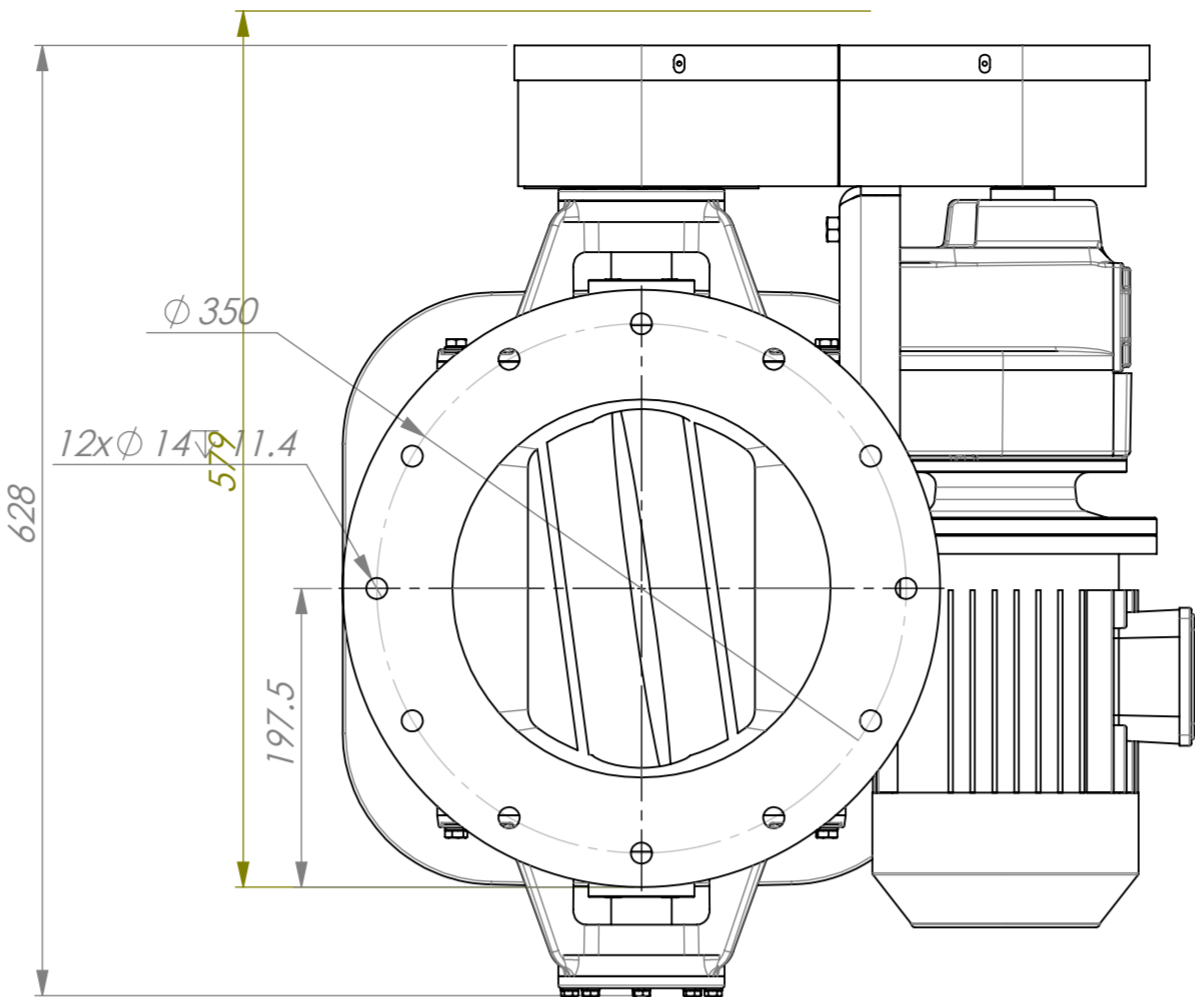
5

4

3

2

1



DASH NO.	NEXT ASSY.	USED ON APPLICATION

UNLESS OTHERWISE SPECIFIED
 1. MARKING PER ISO 2842
 2. BREAK ALL SHARP EDGES 0.1 X 45° OR 0.1R
 3. DIMENSIONAL LIMITS APPLY AFTER PLATING

LAST DATUM LRT USED
 HEAT TREAT:
 FINISH SPEC.
 UNLESS OTHERWISE SPECIFIED DIMENSION ARE IN MILLIMETER

CUSTOMER:
 DESIGN:
 MET DESIGN APP:
 PRE:
 GROUP ENGR. APP:
 PRE:
 DRAWN:
 CHECKED:
 APPROVED:

10' - Chassis 2 Overall Dimension
 PART NO.
 SIZE A2
 REFERENCE:
 SCALE:1:5
 FILE CODE:
 SHEET 1 OF 1

8

7

6

5

4

3

2

1